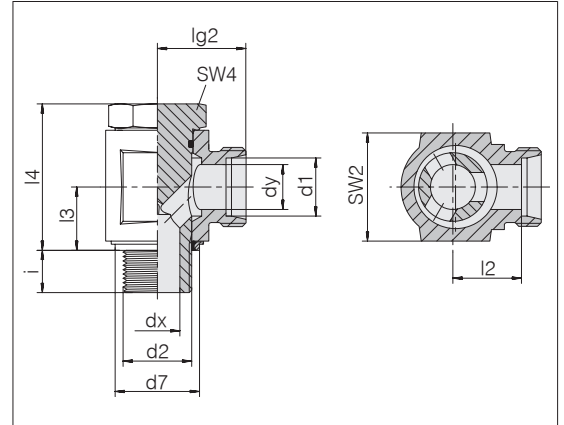


Banjo couplings

Throttle-free version with eccentric flow channel

Male thread: Metric fine thread, cylindrical
 For threaded bores: ISO 9974-1 (Form N - narrow)
 Sealing type: Soft sealing ring (Form E)
 Sealing material: Standard NBR

Tube coupling: 24° in acc. with ISO 8434-1



Series	d2	Pressure	d7	dx	dy	lg2	l2	l3	l4	SW2	SW4	i	Nm -10 %	kg/100 ca.	Order-No.	Designation		
L	6	M 10 x 1	PB 500	14.9	4	4	19	12	10.5	25.3	19	14	8	30	5.1	1155012081	24-BEE-L6-M10E	¹⁾
L	8	M 12 x 1.5	PB 400	17	6	6	21.5	14.5	14	31.5	22	17	12	42	9.4	1155062081	24-BEE-L8-M12E	¹⁾
L	8	M 14 x 1.5	PB 350	18.9	8	6	22.5	15.5	14	33	22	19	12	42	10.3	1155072081	24-BEE-L8-M14E	
L	10	M 14 x 1.5	PB 350	18.9	8	8	22.5	15.5	14	33	22	19	12	42	7.9	1155112081	24-BEE-L10-M14E	¹⁾
L	12	M 16 x 1.5	PB 350	21.9	10	10	25	18	16.5	38.5	27	22	12	60	16.3	1155162081	24-BEE-L12-M16E	¹⁾
L	12	M 18 x 1.5	PB 315	23.9	12	10	27	20	18.5	42.5	30	24	12	70	20.5	1156802081	24-BEE-L12-M18E	
L	15	M 18 x 1.5	PB 315	23.9	12	12	28	21	18.5	42.5	30	24	12	70	21.6	1155212081	24-BEE-L15-M18E	¹⁾
L	15	M 22 x 1.5	PB 315	26.9	15	12	29	22	21.5	47.5	36	27	14	160	29.7	1156822081	24-BEE-L15-M22E	
L	18	M 22 x 1.5	PB 315	26.9	15	15	29	21.5	21.5	47.5	36	27	14	160	29.9	1155262081	24-BEE-L18-M22E	¹⁾
L	22	M 26 x 1.5	PB 200	31.9	19	19	33.5	26	24	55.5	41	32	16	140	46.5	1155312081	24-BEE-L22-M26E	¹⁾
L	28	M 33 x 2	PB 200	39.9	24	24	39	31.5	30.5	68	50	41	18	350	87.8	1155362081	24-BEE-L28-M33E	¹⁾
L	35	M 42 x 2	PB 200	49.9	30	30	46	35.5	35.5	78	60	50	20	500	147.4	1155412081	24-BEE-L35-M42E	¹⁾
L	42	M 48 x 2	PB 200	55.9	36	36	51	40	40.5	88.5	70	60	22	600	216.9	1155462081	24-BEE-L42-M48E	¹⁾
S	6	M 12 x 1.5	PB 500	17	4	4	23.5	16.5	14	30.5	22	17	12	57	9.9	1155512081	24-BEE-S6-M12E	¹⁾
S	8	M 14 x 1.5	PB 450	18.9	5	5	23.5	16.5	14	31	22	19	12	90	10.9	1155562081	24-BEE-S8-M14E	¹⁾
S	10	M 16 x 1.5	PB 400	21.9	7	7	26	18.5	16.5	37	27	22	12	100	17.4	1155612081	24-BEE-S10-M16E	¹⁾
S	12	M 18 x 1.5	PB 400	23.9	8	8	28	20.5	18.5	40	30	24	12	130	22.9	1155662081	24-BEE-S12-M18E	¹⁾
S	16	M 22 x 1.5	PB 400	26.9	12	12	31	22.5	21.5	47	36	27	14	180	32.0	1155762081	24-BEE-S16-M22E	¹⁾
S	20	M 22 x 1.5	PB 400	26.9	12	16	38	27.5	25	55	46	27	14	180	48.0	1154832081	24-BEE-S20-M22E	
S	20	M 27 x 2	PB 400	32.9	16	16	38	27.5	24	55	46	36	16	300	59.7	1155812081	24-BEE-S20-M27E	¹⁾
S	25	M 33 x 1.5	PB 250	39.9	20	20	43	31	30.5	66.5	50	41	18	380	93.4	1155862081	24-BEE-S25-M33E	¹⁾
S	30	M 42 x 2	PB 250	49.9	25	25	50	36.5	35.5	75.5	60	50	20	600	157.3	1155912081	24-BEE-S30-M42E	¹⁾
S	38	M 48 x 2	PB 250	55.9	32	32	57	41	40.5	86.5	70	60	22	750	232.8	1155962081	24-BEE-S38-M48E	¹⁾

¹⁾ Standard size

Example for comp. :
WH06LMKDSOMD